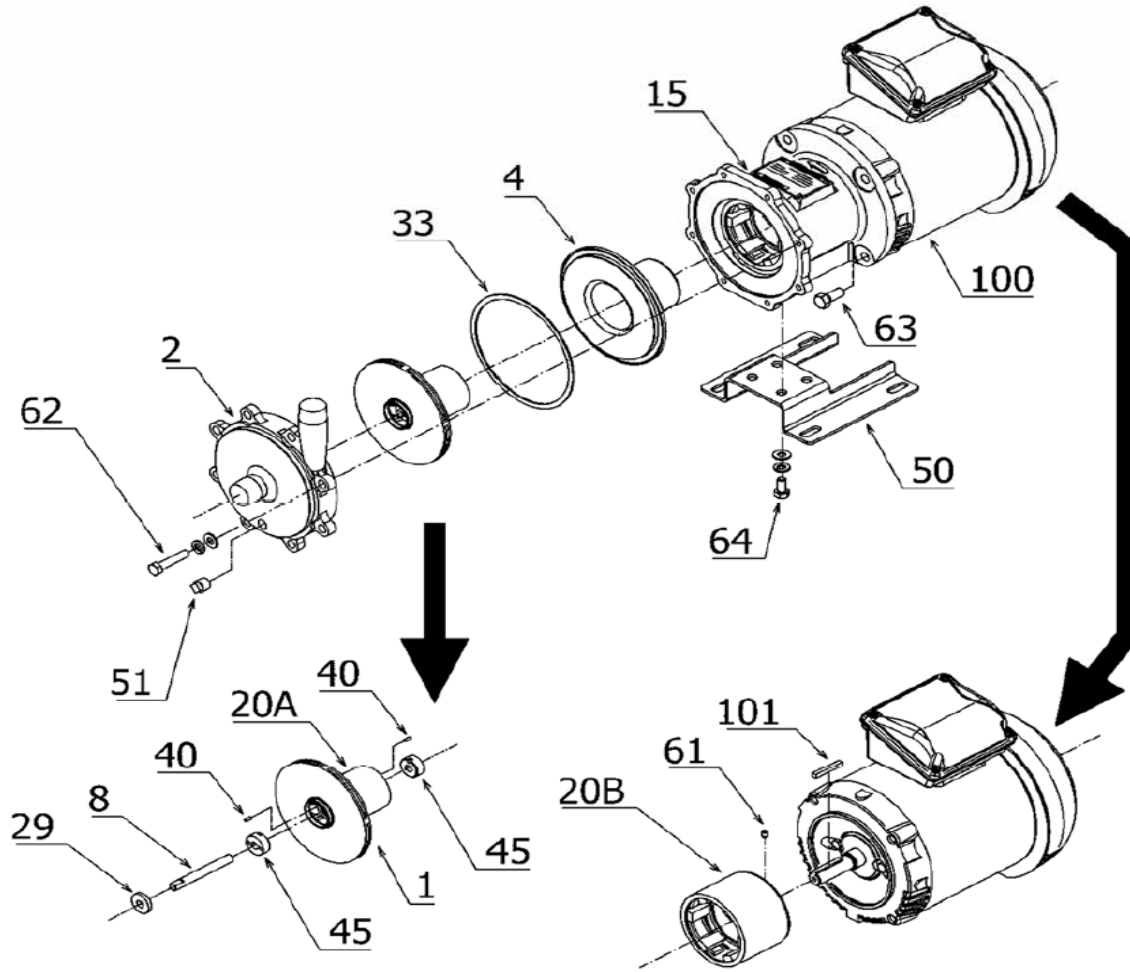


SANWA PUMP - MMP Exploded View



No.	Part	Material	Qty.
101	Motor Shaft Key	ASTM A575 1045	1
100	Motor		1
69	Nameplate	AISI 304	1
64	Hex Head Bolt (Base)	AISI 304	4
63	Hex Head Bolt and Nut (Motor)	AISI 304	4
62	Hex Head Bolt (Casing)	AISI 304	6
61	Set Screw	ASTM A294135	1
50	Base	AISI 304	1
45	Bushing	SiC-D	2
33	O-ring		1
	Sheet Gasket		1
29	Thrust Ring	SiC	1
20B	Magnet Coupling (Outer)	ASTM A536 Gr. 60	1
20A	Magnet Coupling (Inner)	AISI 316	1
15	Frame Adaptor	ASTM A48M CLASS, 30B	1
8	Shaft	SiC	1
4	Rear Casing	AISI 316	1
2	Casing	ACIOCF-8M	1
1A	Pin	AISI 316	2
1	Impeller	ACI-CF-8M	1